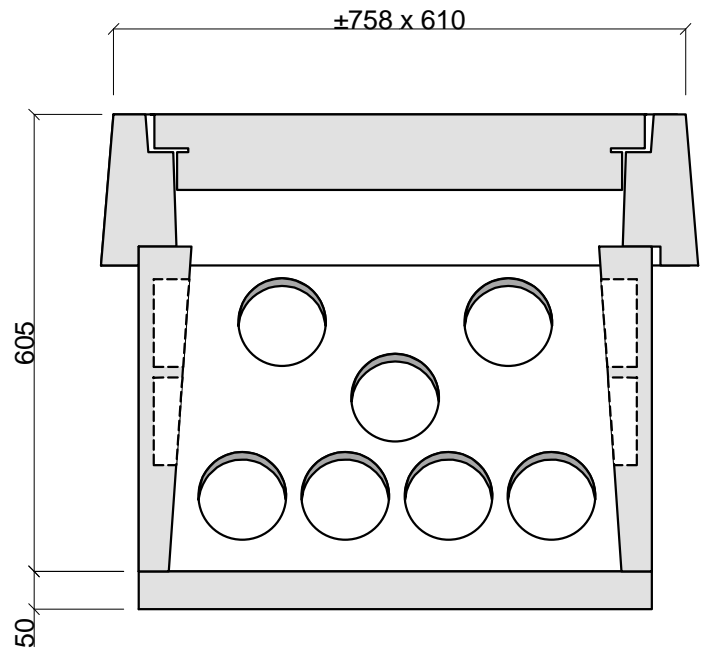
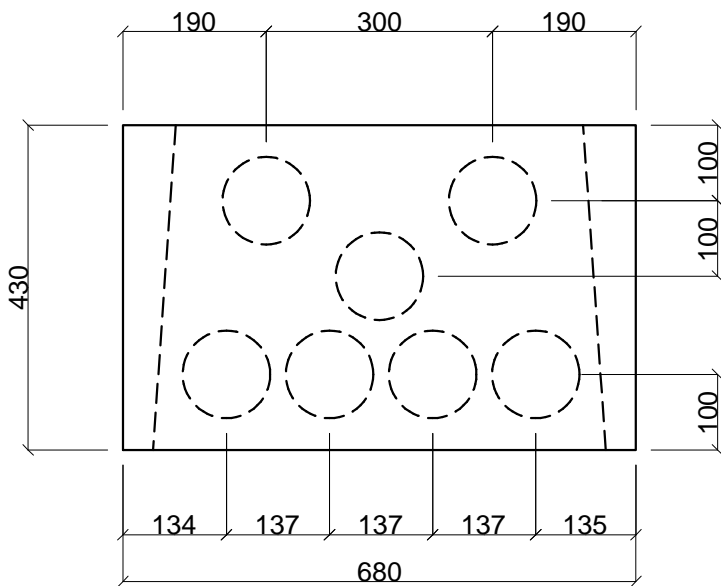


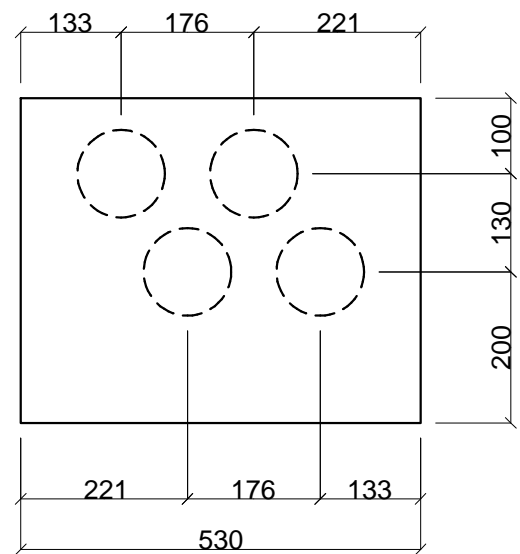
PLAN - WALLS



SECTION



ELEVATION ON WALL  
LONG SIDE



ELEVATION ON WALL  
SHORT SIDE

600 x 450 3-PIECE PRECAST  
LAYOUT OF KNOCK-OUT HOLES

