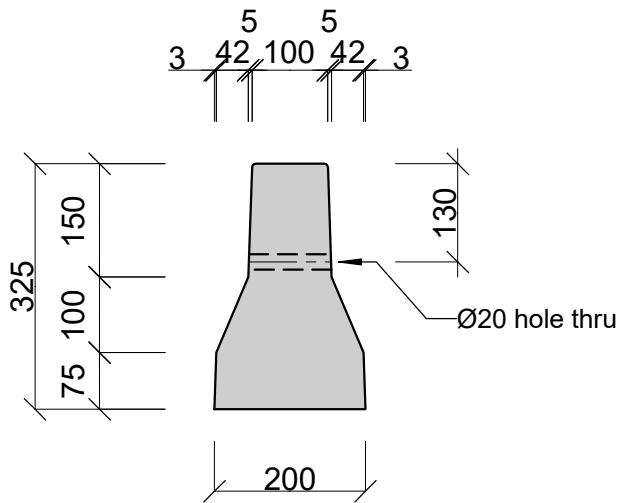



SIDE-ON VIEW



SECTION

Quantity to Cast:		Product Name: <b>KERBS TRENCH WALL 325x200x1000</b> <b>ESKOM DWG 2-WT/1375</b> Product Code: P2-2708	
Concrete Mix:	57		
Reinforcing: To be checked by Eng	No		