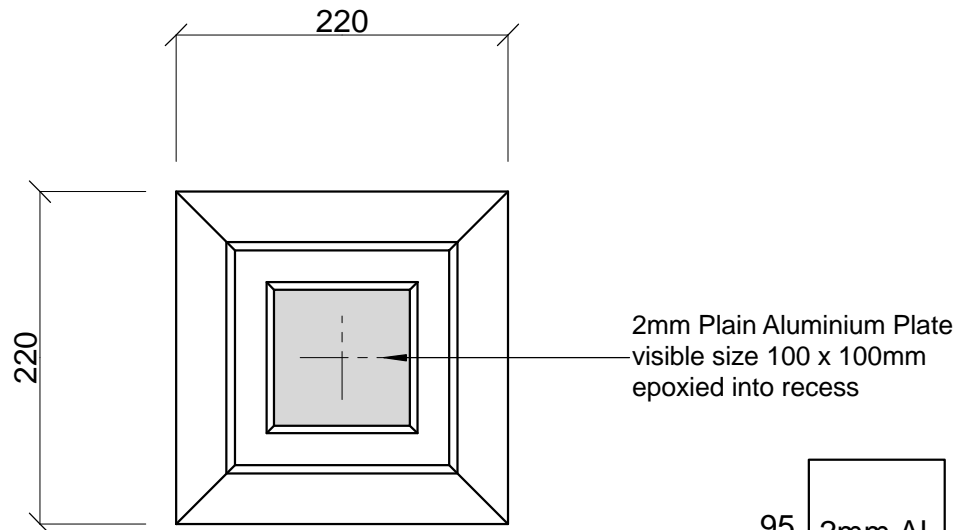
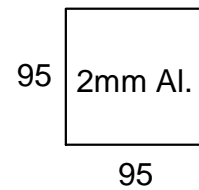



**ELEVATION**



**TOP VIEW**



**SPECIFICATION:**  
 Concrete 30MPa, unreinforced  
 Label Plate 2.0mm plain  
 aluminium unpunched

Quantity to Cast:		Product Name:	
Concrete Mix:	57	MARKER PRECAST CONCRETE UNREINFORCED TO ESKOM DRAWING D-DT-8012 Sheet 2	
Reinforcing: To be checked by Eng	N/A	Product Code: P2-1620	