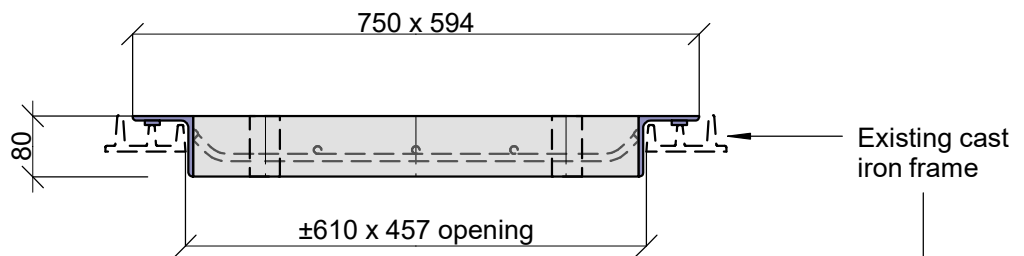
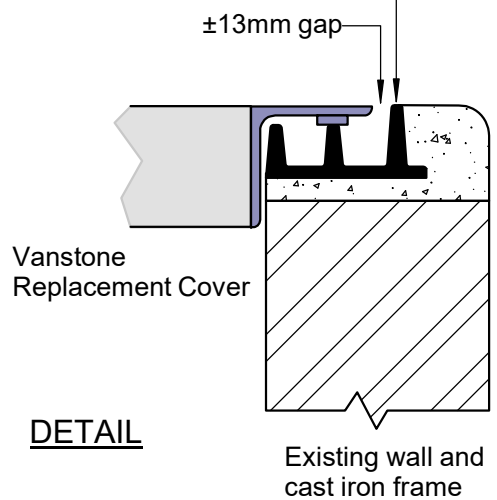


PLAN VIEW

Galvanized steel edging to cover



SECTION



DETAIL

SPECIFICATION

SANS 558 Duty Class "M" 40kN
 Concrete: 35MPa at 28 days.
 All steel including reinforcing
 is hot dipped galvanized
 after welding.

Quantity to Cast:	2
Concrete Mix	35MPa
Mass kg ±	77
Reinforcing: To be checked by Eng	yes

REPLACEMENT MANHOLE COVER TYPE 8A
 Opening Size 610 x 457

Product Code: P2-1590/8A

