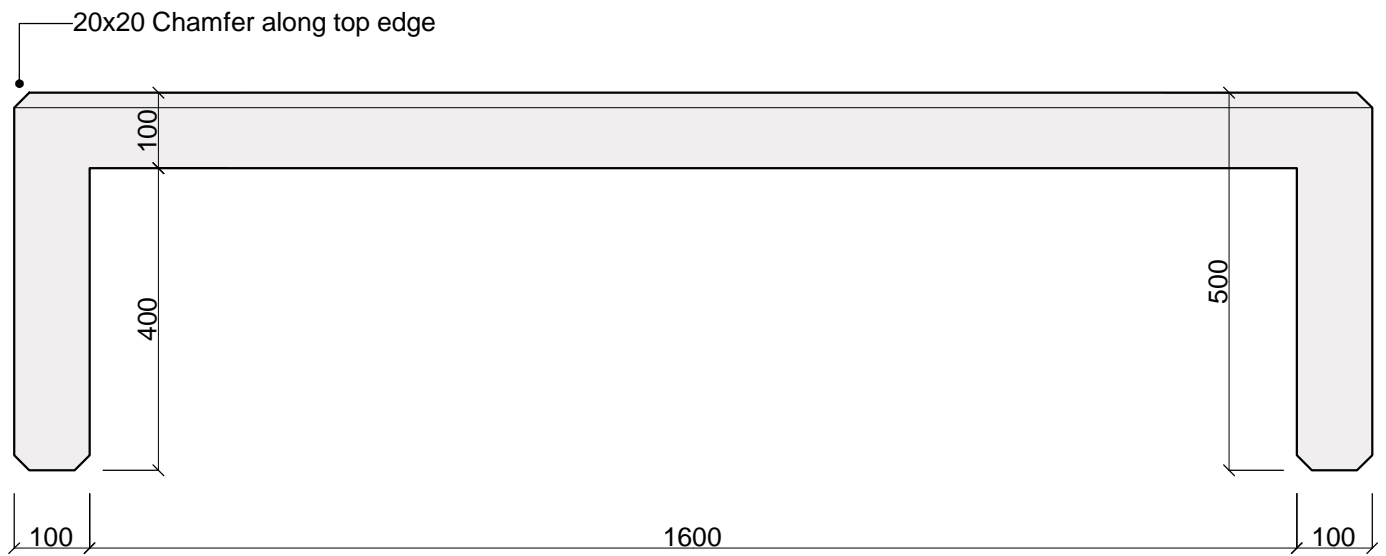


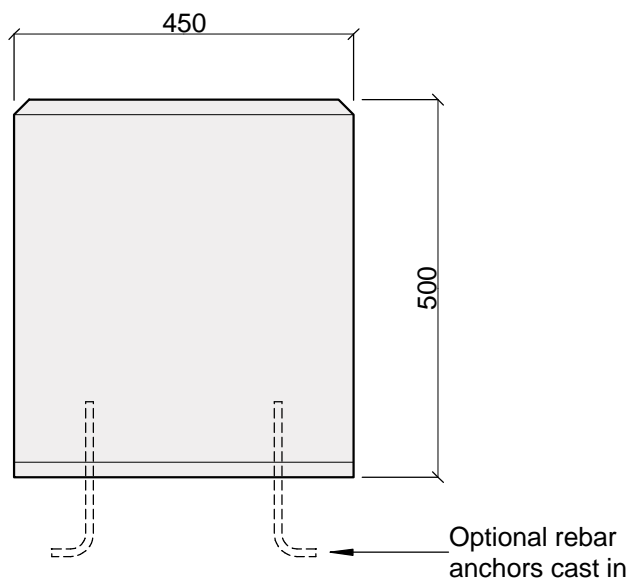
Ø50 holes

Indented game patterns as shown

TOP VIEW



ELEVATION



END VIEW

SPECIFICATION

Concrete 30MPa

Reinforcing Steel SANS 920

Finishes:

All faces smooth grey except undersides which are wood floated.

Top edge chamfered 20x20mm

Game patterns as shown above are permanently indented into the top surface

Optional rebar anchors cast in

METRO GAMING BENCH

P3-3665

