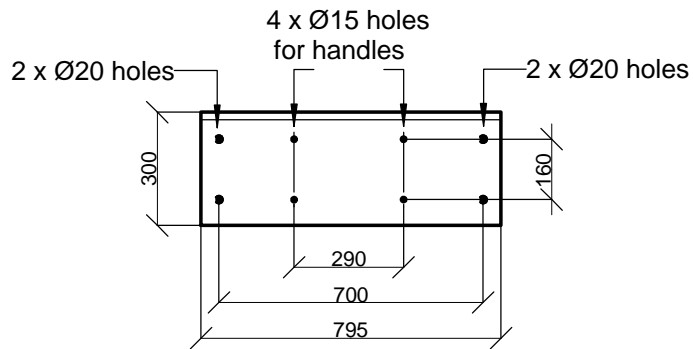


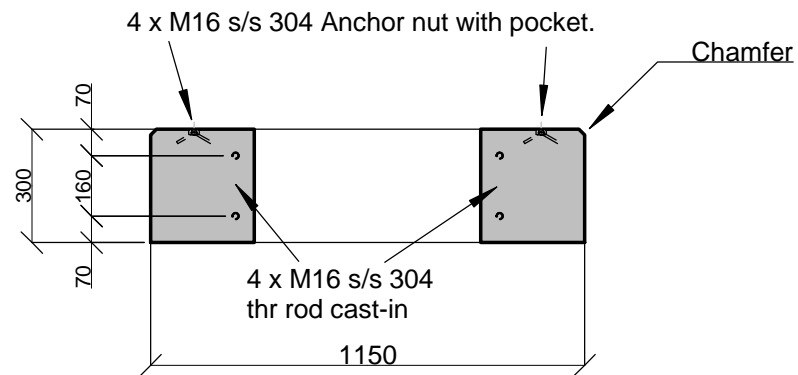
TOP VIEW



FRONT VIEW OF REMOVABLE COVER

SPECIFICATION:

1. Concrete fcu = 30MPa
2. Reinforcing steel to SANS 920
Detailing to bending schedule.
3. All steel except reinforcing is stainless steel.



SECTION

References:
Eskom Drawing No. D-DT-0863 Sheet 2
SAP No. 0216758
NRS 095:2012 Figure A.4
Vanstone: P8-NRS-A.4

**PLINTH FOR 2-WAY RMU
1150 x 1200 x 300**

Vanstone Precast (Pty) Ltd
www.vanstone.co.za
Tel 012 541 2056

